



CENTER OF ALL YOUR FOOD SERVICE NEEDS

COTTON CANDY MACHINE WITH TROLLEY

Item: 40383



Cover sold separately

This cotton candy machine is a great way to make special events extra sweet! Perfect for birthdays, fairs, engagement parties, graduations, carnivals, festivals, fund raising events, corporate events, weddings and so much more!

Features:

- Four clasps to hold the stainless steel bowl for effortless cleaning and removal
- Designed with a cart for easy mobility
- Front panel includes: display meter and power switches
- Stainless steel drawer for quick access for equipment and tools
- Built in fuse for safety use
- Comes with a stainless steel scoop
- CE and ETL certified



WARRANTY

PARTS AND LABOR
(Applied to Item 40383 Only)



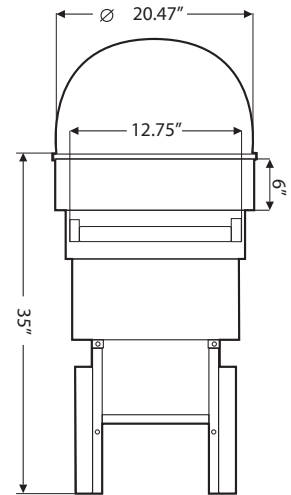
Authorized Dealer



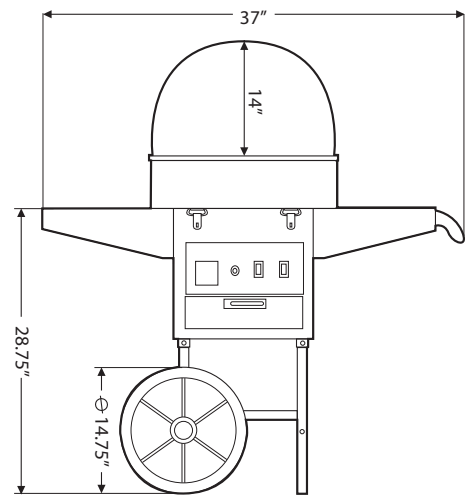
Detail Shots



OPTIONAL ITEMS:
Liner and clip



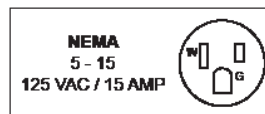
FRONT VIEW



SIDE VIEW

PRODUCT SPECIFICATIONS

ITEM NUMBER	40383
BOWL SIZE (Dia. x H)	20.47" x 6" / 520 x 152.4 mm
POWER	1.03 kW
ELECTRICAL	110 V / 60 Hz / 1
OUTPUT	1.5 kg/ h
DIMENSIONS (DWH) (Height of dome not included)	20.47" x 37" x 35" / 52 x 94 x 88.9 cm
NET WEIGHT	21 kg / 46.3 lbs.
GROSS WEIGHT	23 kg / 50.7 lbs.



OPTIONAL ITEMS

ITEM NUMBER	DESCRIPTION
40382	Cotton Candy Machine Cover
43455	Liner for candy floss pan
43457	Clip for candy floss pan

OMCAN INC.

Telephone: 1-800-465-0234
 Fax: (905) 607-0234
 E-mail: sales@omcan.com
 Website: www.omcan.com



Follow us to keep up to date with the latest news and offers

